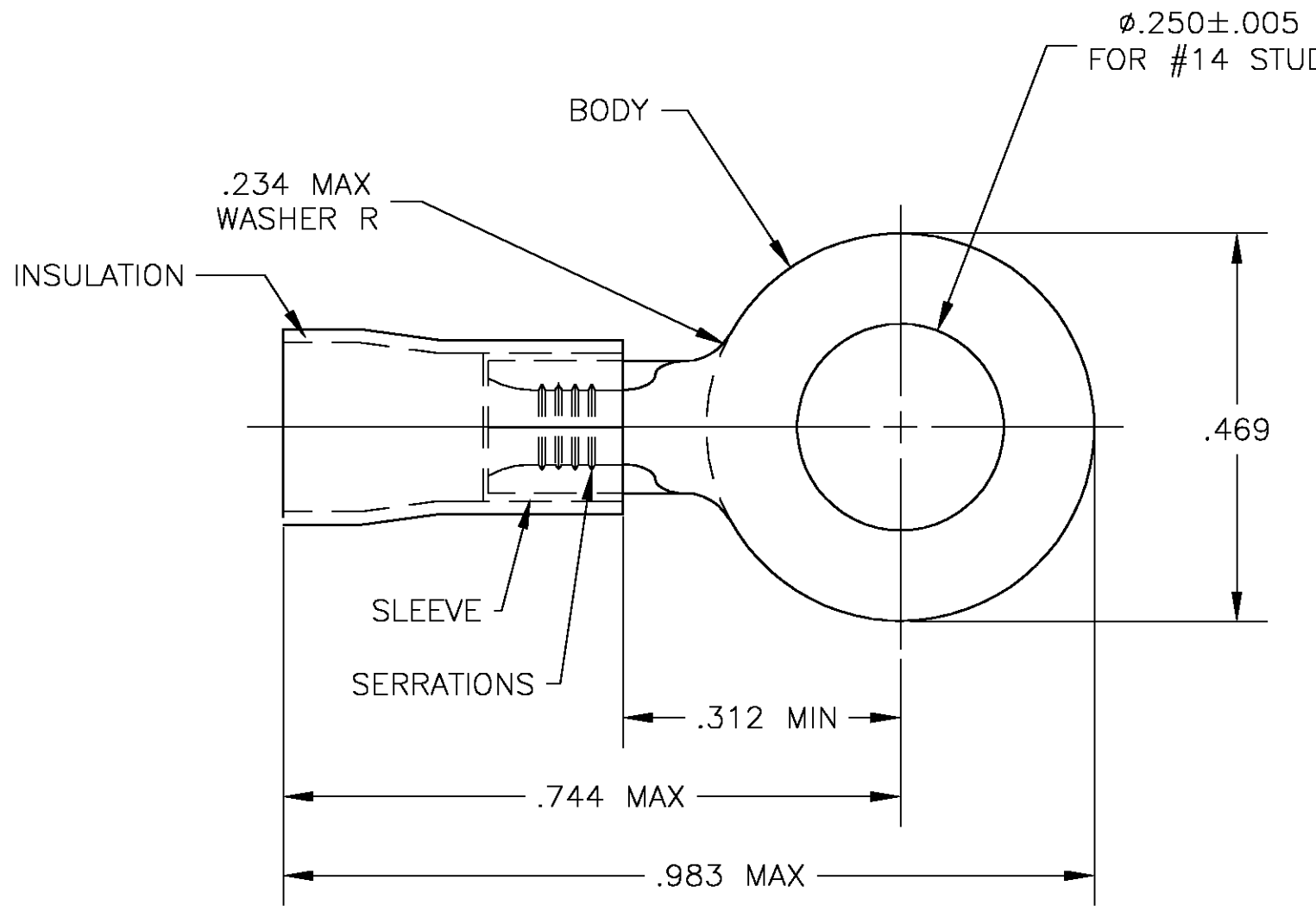


THIS DRAWING IS UNPUBLISHED. RELEASED FOR PUBLICATION  
 © COPYRIGHT BY TYCO ELECTRONICS CORPORATION. ALL RIGHTS RESERVED.

LOC	DIST	REVISIONS			
P	LTR	DESCRIPTION	DATE	DWN	APVD
G	14	H	REDRAWN PER 0G3A-0603-03	03OCT03	JR MS



- 1 TONGUE THK IS  $.070 \pm .003$
- 2 BODY: COPPER PER ASTM B152  
TIN PLATE PER ASTM B545  
ANNEALED  
SLEEVE: COPPER PER ASTM B152  
TIN PLATE PER ASTM B545  
ANNEALED  
INSULATION: PVC, COLOR - GREEN
- 3 FOR  $.150$  TO  $.200$  WIRE INSULATION DIA

OBSOLETE	2-320699-1	320699-0
	PART NO ON TAPE	PART NO

THIS DRAWING IS A CONTROLLED DOCUMENT.		DWN jr_ruth 03OCT03	Tyco Electronics Corporation Harrisburg, PA 17105	
DIMENSIONS: INCHES		CHK MJ SPICER 03OCT03		
		APVD MJ SPICER 03OCT03	NAME	
TOLERANCES UNLESS OTHERWISE SPECIFIED:		PRODUCT SPEC	TERMINAL, PLASTI-BOND, RING TONGUE, WIRE SIZE : 20-16 H.D.	
0 PLC ± -		APPLICATION SPEC	SIZE	CAGE CODE
1 PLC ± -		WEIGHT	A3	00779
2 PLC ± -		CUSTOMER DRAWING	DRAWING NO C-320699	
3 PLC ± .008		SCALE	5:1	SHEET 1 OF 1
4 PLC ± -		RESTRICTED TO	REV H	
ANGLES ± 5'				
FINISH				
- 2				